

--	--	--	--	--	--	--	--	--	--	--	--	--	--	--	--	--	--	--	--

NOIDA INSTITUTE OF ENGINEERING AND TECHNOLOGY, GREATER NOIDA

(An Autonomous Institute Affiliated to AKTU, Lucknow)

B.Tech.

SEM: I - CARRY OVER THEORY EXAMINATION - AUGUST 2022

Subject: Basic Electrical and Electronics Engineering

Time: 3 Hours

Max. Marks: 100

## General Instructions:

1. The question paper comprises three sections, A, B, and C. You are expected to answer them as directed.
2. Section A - Question No- 1 is 1 marker & Question No- 2 carries 2 marks each.
3. Section B - Question No-3 is based on external choice carrying 6 marks each.
4. Section C - Questions No. 4-8 are within unit choice questions carrying 10 marks each.
5. No sheet should be left blank. Any written material after a blank sheet will not be evaluated/checked.

## SECTION A

20

## 1. Attempt all parts:-

- 1            Three equal resistances of value R are connected in star. If this star is converted into equivalent delta, the resistance value of delta networks will be.....(CO1)            1
- (a)  $R/3$
- (b) Zero
- (c)  $3R$
- (d) None of the above
- 1            Which of the following theorems is applicable for both linear and nonlinear circuits? (CO1)            1
- (a) Superposition
- (b) Thevenin's
- (c) Norton's
- (d) None of these
- 1-c.        What is the form factor of a square wave(CO2)            1
- (a) 1
- (b) 2
- (c) 1.1

(d) 3

- 1-d. The capacitive reactance is ..... of frequency (CO2) 1
- (a) directly proportional
  - (b) indirectly proportional
  - (c) independent
  - (d) none of above
- 1-e. An inverter converts \_\_\_\_\_. (CO3) 1
- (a) AC to DC
  - (b) DC to AC
  - (c) DC to AC and vice-versa
  - (d) AC to AC (with changed frequency)
- 1-f. How to reduce eddy current loss in transformer? (CO3) 1
- (a) By using thin laminated strips
  - (b) By using soft magnetic material
  - (c) By using hard magnetic material
  - (d) By using solid piece of magnetic material
- 1-g. The full form of LCD is \_\_\_\_\_. (CO4) 1
- (a) Liquid Crystal Display
  - (b) Liquid Crystalline Display
  - (c) Logical Crystal Display
  - (d) Logical Crystalline Display
- 1-h. The clipper circuit are used for..... (CO4) 1
- (a) Rectification
  - (b) Removal of a part from the applied waveform
  - (c) Shifting of DC level
  - (d) None of these
- 1-i. The controlling of light by smartphone is the application of ..... (CO5) 1
- (a) Internet of Things
  - (b) Machine Learning
  - (c) Artificial Intelligence
  - (d) Cloud Computing

- 1-j. The input offset current is defined as ..... (CO5) 1
- (a)  $I_{B1} + I_{B2}$
- (b)  $I_{B1} - I_{B2}$
- (c)  $I_{B1} \times I_{B2}$
- (d) None of these

2. Attempt all parts:-

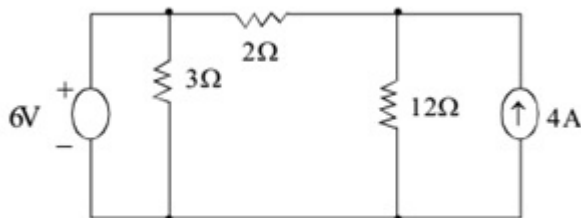
- 2.a. State the Superposition theorem. (CO1) 2
- 2.b. If the bandwidth of a resonant circuit is 10 KHz and lower half frequency is 120 KHz, Find the upper half frequency and Quality Factor.(CO2) 2
- 2.c. In a transformer copper loss at full load is 1000 watt. then copper loss at half load is....(CO3) 2
- 2.d. What do you mean by depletion layer? (with respect to p-n Junction) (CO4) 2
- 2.e. What are the characteristics of an ideal Operational Amplifier ? (CO5) 2

SECTION B

30

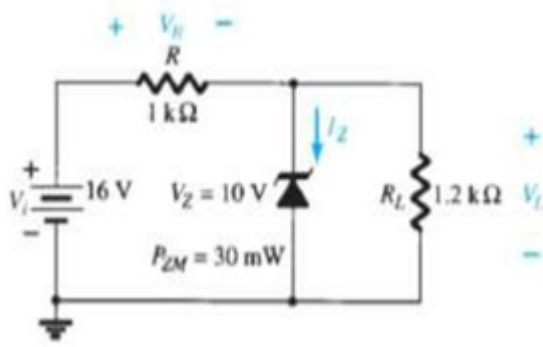
3. Answer any five of the following:-

- 3-a. State and prove maximum power transfer theorem. (CO1) 6
- 3-b. Calculate the currents and voltages of all the resistance of the circuit using nodal analysis method. (CO1) 6



- 3-c. Calculate the average and rms values for half and full wave rectifier.(CO2) 6
- 3-d. In parallel Resonant circuit (tank circuit) if  $R=50 \text{ ohm}$ ,  $L=0.1\text{H}$  and  $C=140\mu\text{F}$ , Calculate(a)Quality Factor (b) Impedance at resonance (c)Band width.(CO2) 6
- 3.e. Derive the e.m.f equation of a single phase transformer .Also mention different types of losses occur in it. (CO3) 6
- 3.f. 6
1. For the Zenar Diode network, Determine  $V_L$ ,  $V_R$ ,  $I_Z$  and  $P_Z$ .
  2. Repeat part 1 with  $R_L=3 \text{ k}\Omega$

(Refer Figure Below) (CO4)



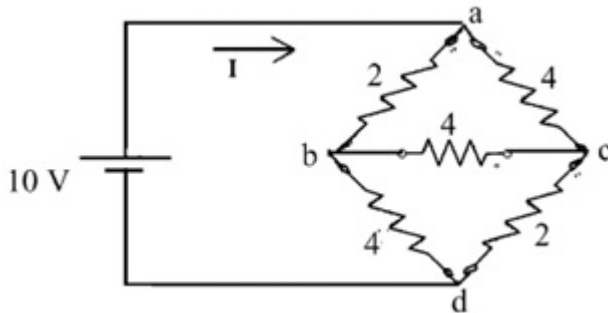
- 3.g. Give the characteristics of an ideal Operational Amplifier. Also draw its transfer characteristics . (CO5) 6

SECTION C

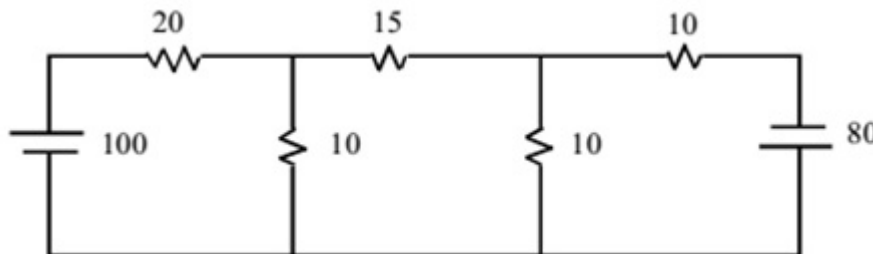
50

4. Answer any one of the following:-

- 4-a. Using star-delta transformation, find the current in the branch b-c of the circuit. Consider all the values of resistances are in ohms. (CO1) 10



- 4-b. Find the current in various branches of circuit. Using mesh Analysis. (CO1) 10



5. Answer any one of the following:-

- 5-a. The instantaneous values of the alternating voltages are represented as  $V_1 = 60 \sin \omega t$  ,  $V_2 = 40 \sin (\omega t - \pi/3)$  and  $V_3 = 90 \sin (\omega t + \pi/6)$  . Derive the expression of voltage as sum and difference of given voltages.(CO2) 10
- 5-b. A balanced delta-connected load of  $(12+j9)$  ohm is connected to a 3- phase 400V supply, calculate line current, power factor and power drawn by it.(CO2) 10

6. Answer any one of the following:-

- 6-a. Calculate the Electricity bill of the house for the month of July with following load data of one day: a. An AC of 1500 W is operated for 120 Minutes. b. A Washing Machine of 300 W is operated for 40 Minutes. c.A Toaster of 1000 W is operated for 15 Minutes. d.Two 10

Fluorescent light of 40 W each is operated for 8 Hours. e. Three Fans of 60 W is operated for 4 Hours.(Use the cost per unit of electricity as Rs 6 in your calculations) (CO3)

6-b. Draw single line diagram of power system and explain different components and voltage level. (CO3) 10

7. Answer any one of the following:-

7-a. Write short notes on a) n-type semiconductor b) p-type semiconductor c) potential Barrier d) Effect of temperature on conductivity of a Semiconductor. (CO4) 10

7-b. Write Short notes on : (CO4) 10

1. LED Display
2. LCD
3. OLED
4. 7-Segment Display

8. Answer any one of the following:-

8-a. Derive the output voltage of a differentiator circuit.. and hence find the expression for output voltage  $V_o$  for a differentiator having  $R = 100 \text{ k}\Omega$  and  $C = 0.1 \mu\text{F}$ . Given that input voltage  $V_{in} = 5t$  Volts. Also draw the waveform of the output voltage. (CO5) 10

8-b. Explain the working of Digital Voltmeter with proper block diagram. What is difference between sensors and transducers? (CO5) 10